

QTF series AGM start-stop battery is designed specifically to deliver exceptional performance for high demanding start-stop vehicles. With an enhanced cycle life, RIMA AGM start-stop battery not only offers exceptional start-stop performance, but also copes with the increased power demand equipments. It's an ideal option for cars, SUVs, caravans and vehicles with start-stop technology and large power demand equipments.

General Features

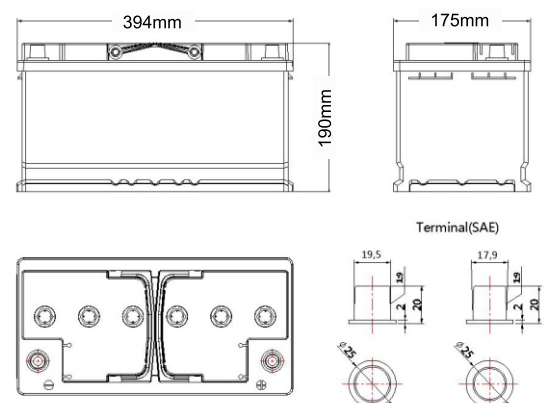
- Non-spillable construction
- Sealed and Maintenance-free
- Deep cycle technology: can be used as a supply and starter battery
- 3 times cycle life compared to conventional battery
- Wider temperature range for application: -30°C-70°C
- 99.997% purity lead material: low internal resistance and low self-discharge

Specifications

Nominal Voltage	12V
20Hr Capacity @25°C(77°F)	105Ah
Reserve Capacity (25A)	190min
CCA(EN)	950A
Weight	29kg
Dimension	394×175×190mm
Operating Temperature	-30°C ~ 70°C
Acceptable Charging Current	0~26.3A
Charging Voltage @25°C(77°F)	14.4V~15.0V
Self-Discharge @25°C(77°F)	≤3% per month
Case Material	Reinforced PP
Terminal	SAE



Dimensions



Compliant Standards

- EN 50342
- GB/T5008.1-2013
- JB/T 12666
- ISO45001, ISO9001 and ISO14001 certified production facilities

Address: Datang Industrial Park, Xinfeng County, Ganzhou City, Jiangxi Province 341600
 Tel :+86-0797 2299899 2299553
 Fax: +86-0797 2299553 Email: info@oremabattery.com

www.oremabattery.com